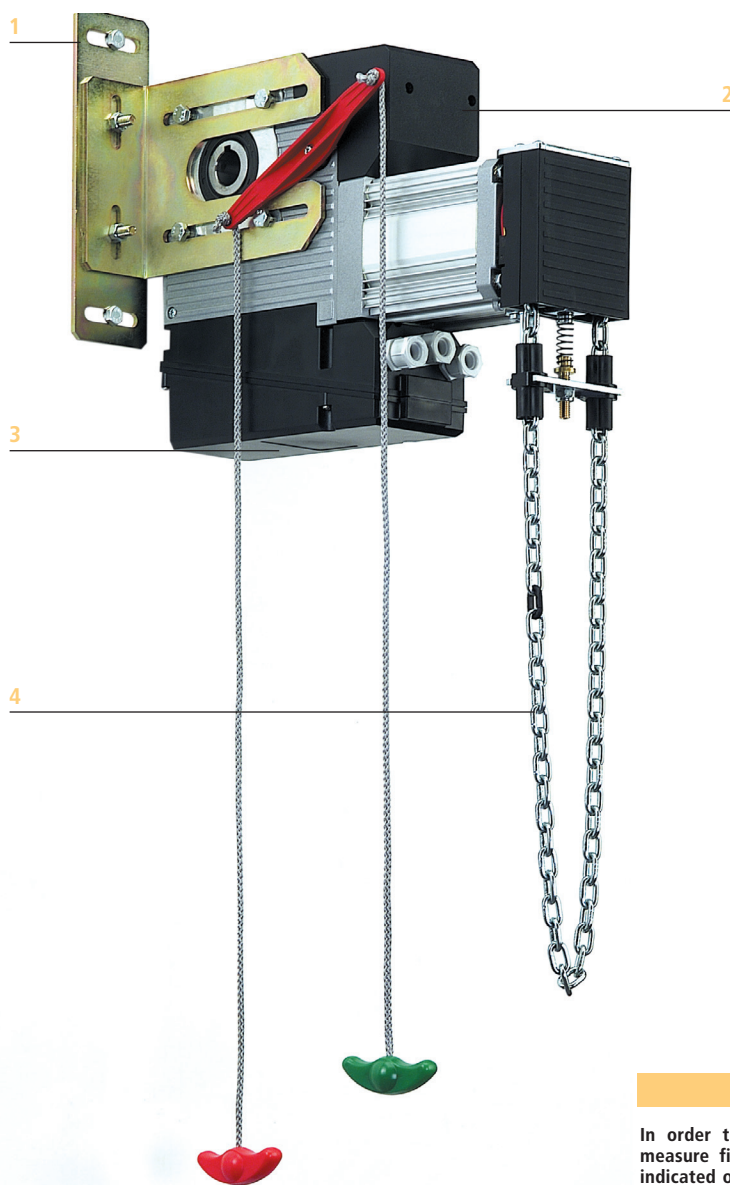


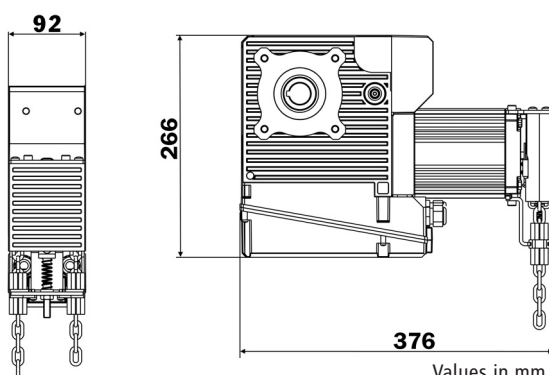
INDUSTRIAL SECTIONAL DOORS GEARMOTORS

540



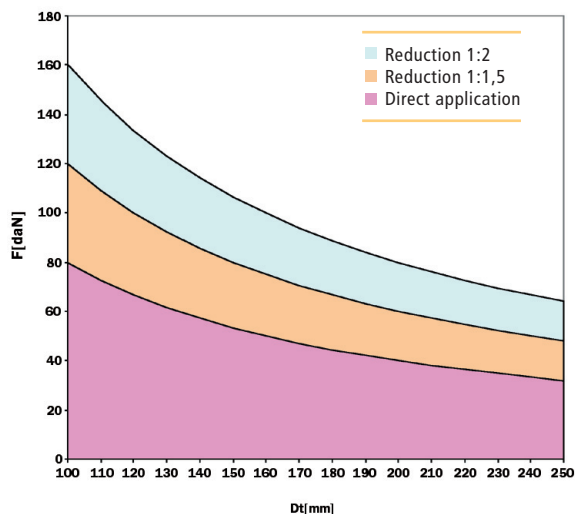
- 1 Three-dimensional adjustment plate (optional)
- 2 Limit switch assembly
- 3 540 BT control board (540) or 540 BPR
- 4 Chain winch (Mod. 540 V and 540 X)

DIMENSIONS



(*)GRAPH – APPLICATION RULES

In order to evaluate the correct operator application you need to measure first the required strength to lift the door (value normally indicated of the door documentation) and then the rope-winding drum diameter. The graph will allow to determine the possible application of the gear motor and the eventual need of a "out of the axis" reduction kit (see specific accessories needed for 540)



LEGENDA:
 F= Maximum strength needed to manually move the door
 Dt= Rope-winding drum diameter

Model	Use		Control board
	Applications	Use frequency %	
540	See graphic (*)	40% (S3)	540 BT built-in
540 V	See graphic (*)	40% (S3)	540 BT built-in
540 X NEW	See graphic (*)	40% (S3)	540 BT built-in
540 BPR NEW	See graphic (*)	40% (S3)	540 BPR built-in
540 V BPR NEW	See graphic (*)	40% (S3)	540 BPR built-in
540 X BPR NEW	See graphic (*)	40% (S3)	540 BPR built-in

Technical specifications of gearmotors 540	
Power supply	230 Vac (+6% -10%) 50 (60) Hz
Electric motor	single-phase induction 1450 rpm
Max absorbed power	800 W
Absorbed current	3.5 A
Thrust capacitor	20 µF
Rotation speed	23 rpm
Winding thermal protection	140° C
Use frequency	40% S3
Max consecutive cycles	5
Drive	Through shaft diam. 25.4mm (1")
Shaft rated torque	50 Nm
Drive max revs	24
Protection class	IP54
Operating ambient temperature	-20°C ÷ +55°C
Gearmotor max weight	14 Kg
Type of oil	FAAC OIL XD 220
Oil quantity	0.75 l

Specifications of 540 BT control board (built into models 540)	
Power supply voltage	230 Vac (+6% -10%) 50 Hz
Low voltage commands	24 Vdc
Motor max. load	800 W
Opening/closing push-buttons	Interlocked
Operating ambient temperature	- 20°C ÷ +55°C
Two fuse	Transformer 0.25 A Motor 6.3 A

Specifications of 540 BPR control board (built into models 540 BPR)	
Power supply	230 Vac (+6% -10%) 50 Hz
Motor max. load	800 W
Accessories max. load	0,2 A
Terminal board inputs	Open/Close/Stop/Closing safety device/Opening and closing limit switch
Terminal board outputs	Motor/24 vdc power supply to accessories
Rapid connector	Plug-in RP receiver single/double channel Decoding card
Function logics	AP, EP, C, B B/C, P
Pause time	Default 30" (programmable from 0 to 10 min.)
Programming	N. 1 push button
Operating ambient temperature	- 20°C ÷ +55°C
Two protection fuses	0,2 A self-restoring accessories 6,3 A motor/transformer